

Omega Design's

Vantage **IL**

Inline Unscrambler With Bottle Labeler



Available as
Standalone Unit
or Integration to
Your Monoblock

Take Your Bottle Sorting to a Higher Level.

- Bottles exit sorter in upright position
- Bottles feed into a puck or starwheel solution
 - Available as a standalone unit or integrated with your Monoblock.
- Thermal inkjet print-and-apply bottle labeler
- Integrated feed screw in chute (for labeling)
- Slim design; Occupies minimal floor space
- Simple to operate and maintain

Under
100

Bottles per minute



Changeover



Vertical Sorting



Ideal applications: round bottles, square bottles, tubes, other

** Speed and changeover will vary per customer's application and options selected.*

★★★★★
MADE IN THE USA

Since 1969

www.omegadesign.com

Tel: 1 (610) 363-6555

OMEGA
DESIGN CORPORATION

Vantage IL

Inline Unscrambler with Bottle Labeler

Our Value Promise
www.omegadesign.com/value



UTILITIES:

- Voltage: 240 VAC, 50/60 Hz
- Air: 8-12 SCFM @ 80 psig
- Utilities may vary per client specifications

CONTROLS:

- PLC
- 7" color touch screen HMI
- Analog Speed Controls

SPEED:

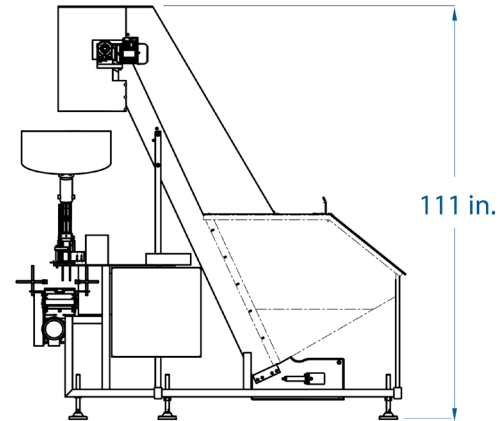
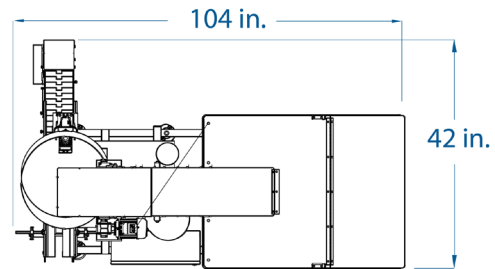
- Under 100 bottles per minute

STANDARD FEATURES:

- Floor level hopper with elevator
- 2' diameter sorter with discharge chute
- Print-and-apply bottle labeler
- Leveling legs
- Electrical safety Interlocks
- Steel frame with painted protective coating

OPTIONS:

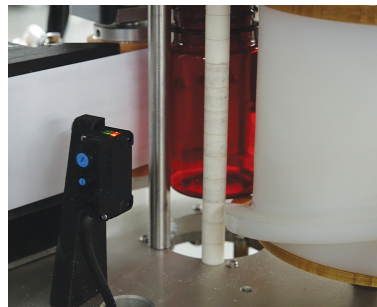
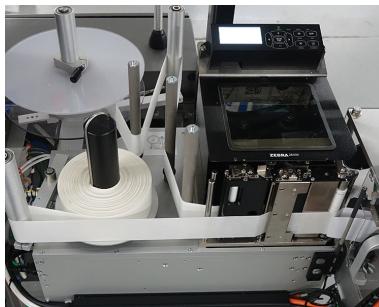
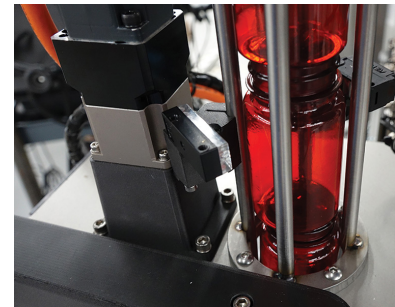
- Hopper upgrades
- Discharge conveyor
- Casters
- Validation support documentation



* Layout and dimensions may vary per application.

OPERATION:

An operator loads empty bottles into the standalone hopper. An elevator transports the bottles to the sorter. A rotating sorter disc guides the bottles towards an exit. A sensor detects the bottle's orientation, which signals a mechanism to index, as needed, to ensure each bottle enters the chute in the upright position. At the base of the chute, a bottle engages a feed screw assembly. As the feed screw rotates the bottle, a nearby thermal inkjet labeler prints and applies a label.



Reminder Ask about our excellent track record of on-time deliveries and industry-leading FATs. Better yet, read what our clients have to say: www.omegadesign.com/testimonials